



**TORTECH LIGHTING**  
Leading the LED Lighting Revolution



# Product Specification

## TOR-HBP-150W-S

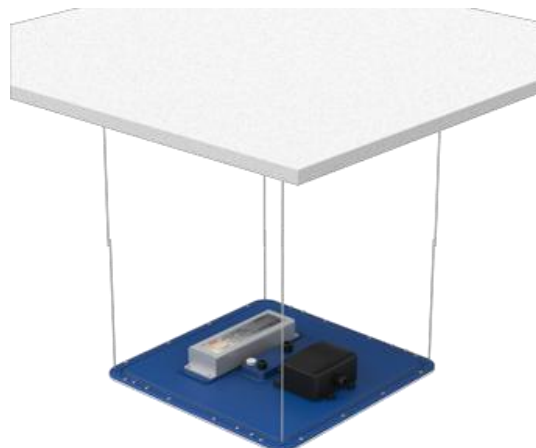
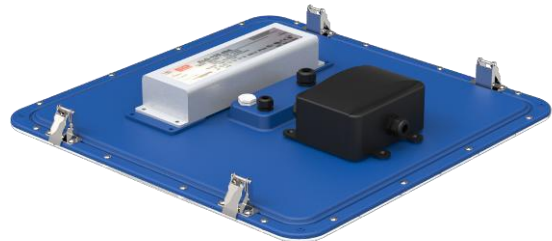
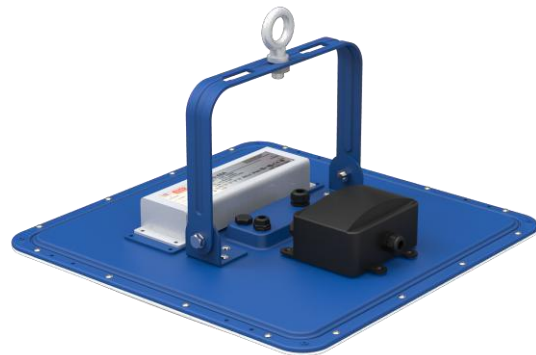
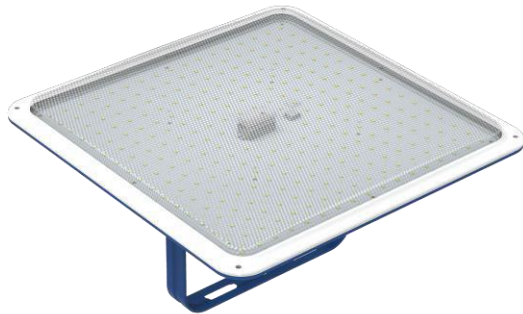


|              |                          |
|--------------|--------------------------|
| Product Name | 150W LED Square High Bay |
| Product No.  | TOR-HBP-150W-S           |
| Manual NO.   | 20170322                 |
| Edition Name | XJ-GSL1501001            |
| Date         | 2017.03.22               |

## Features



- Longevity, using semiconductor chip as the light resource, the life can be over 50,000hrs.
- No UV & IR harmful radiation
- Eco-friendly, No Mercury or Xenon or other heavy elements.
- Recyclable, also it won't generate EMI.
- MEAN WELL power supply, high performance external constant current driver, high efficiency & PF, high quality assurance.



Technical Parameters



**Power parameters:**

| Project                 | Parameters                   |
|-------------------------|------------------------------|
| Input Voltage/Frequency | 200-305V AC: 150W 50/60Hz    |
|                         | 100-180V AC: 105W 50/60Hz    |
| Input Current(Typ)      | 0.65A                        |
| Output Voltage          | DC39-42V                     |
| Output Current          | 3.2A                         |
| Power                   | 150W("MEANWELL" ELG-150-48A) |
| Power Factor(Typ)       | PF>0.95                      |
| Efficiency(Typ)         | $\eta$ >0.88                 |

**Lighting parameters:**

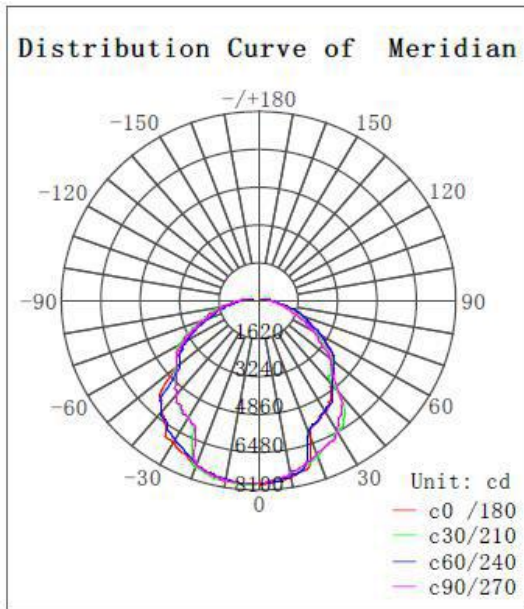
|                       |                    |
|-----------------------|--------------------|
| LED Chips Quantity    | 231(SMD 3030) pcs  |
| Lumen Output          | $\geq$ 21000LM     |
| Color Temperature     | 3000K/4000K/6000K  |
| Color Rendering Index | Ra>80              |
| Beam Angle            | 120°               |
| Dimensions            | 400x400 x 93.9mm   |
| Operating Temperature | -40~55 °C          |
| Operating Humidity    | 20%~90%            |
| Storage Temperature   | -40~80 °C          |
| Lumen Maintenance     | >95% (6000Hrs)     |
| Life-span             | 50000Hrs           |
| STD&AUT               | UL、DLC、TUV、CE、RoHS |

Note: Light optical parameters have a little deviation for different color temperature LEDs , deviation value $\leq$ 5%

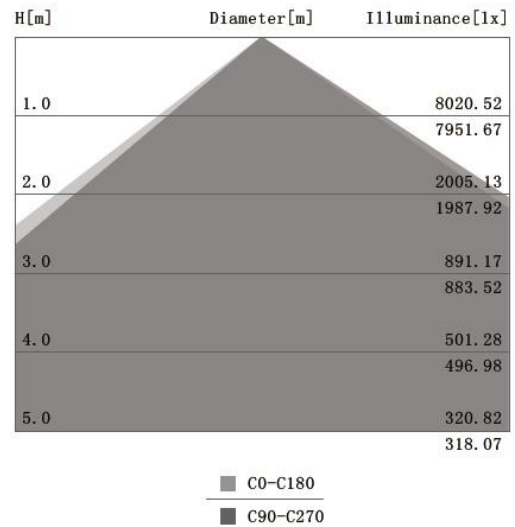
**Test Report**



| Measured Data of Lamp |                      |                      |                  |
|-----------------------|----------------------|----------------------|------------------|
| Voltage               | 231.9 V              | Current              | 0.662 A          |
|                       |                      | Power                | 152 W            |
|                       |                      | Power Factor         | 0.99             |
| Total Flux            | 20643.10 lm          | Central Intensity    | 7946.43 cd       |
| Lamp Efficiency       | 0.00%                | Light Efficiency     | 135.81 lm/W      |
| Peak Intensity        | 8020.52 cd           | Location of Peak(c)  | (180.0° , 2.7° ) |
| Half-Intensity Angle  | 103.5°               | Beam Angle           | 160.2°           |
| Upward Light Ratio    | 0                    | Downward Light Ratio | 100%             |
| Upward Street Side    | 0                    | Downward Street Side | 9640.56 lm       |
| Upward House Side     | 0                    | Downward House Side  | 11002.75 lm      |
| Flash Area(76° )      | 1552 cm <sup>2</sup> | Discomfort Glare(SL) | 0                |

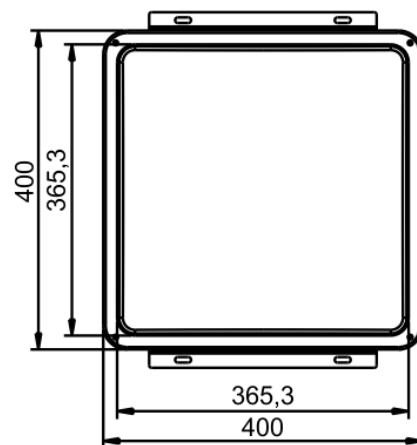
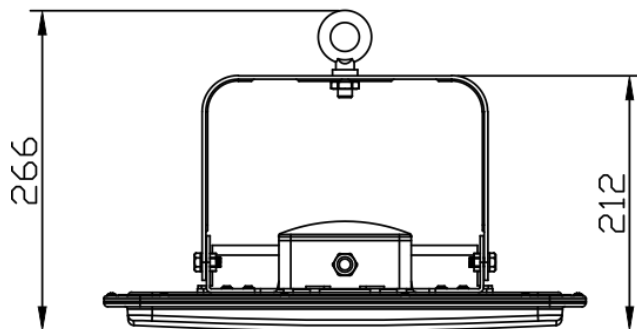


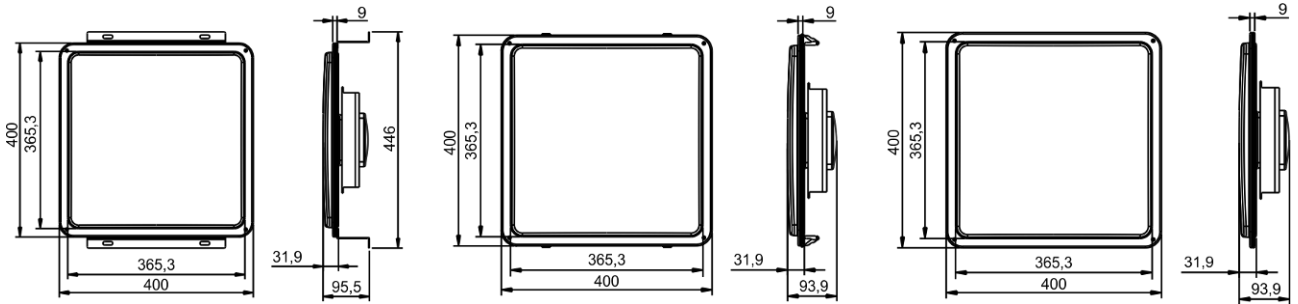
**Illumination Cone Curve**



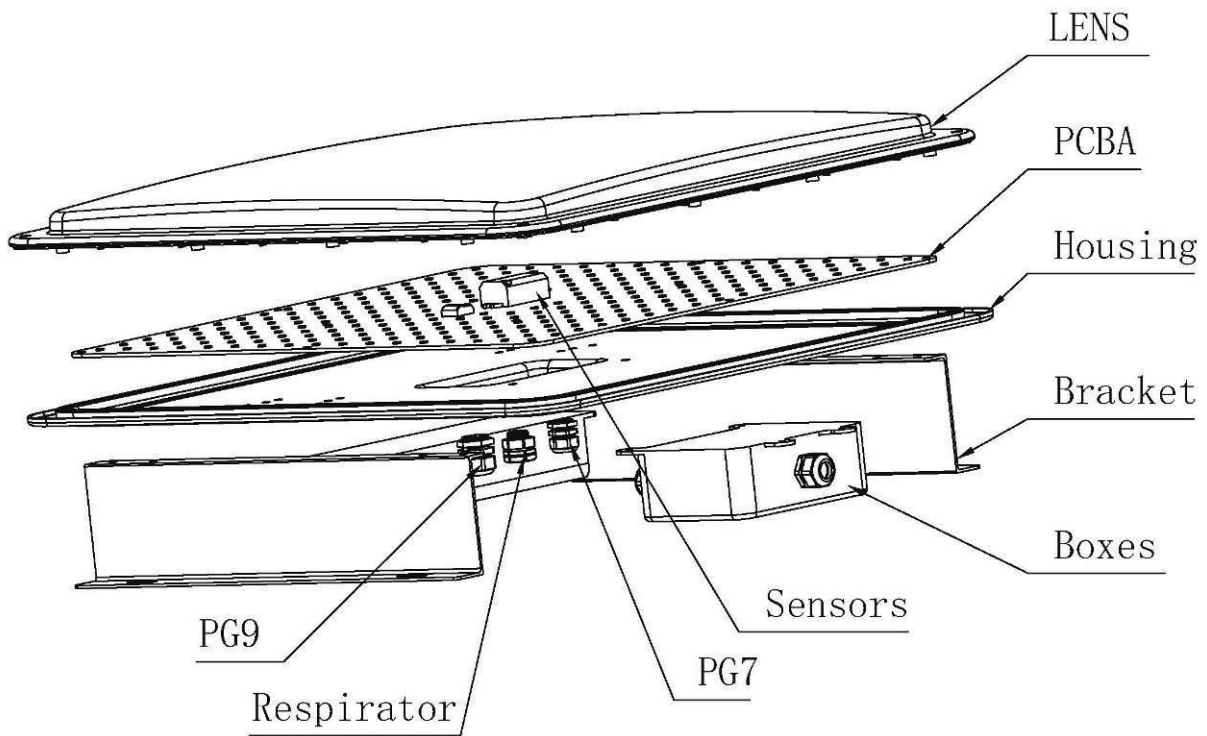
**Dimension**

unit: mm






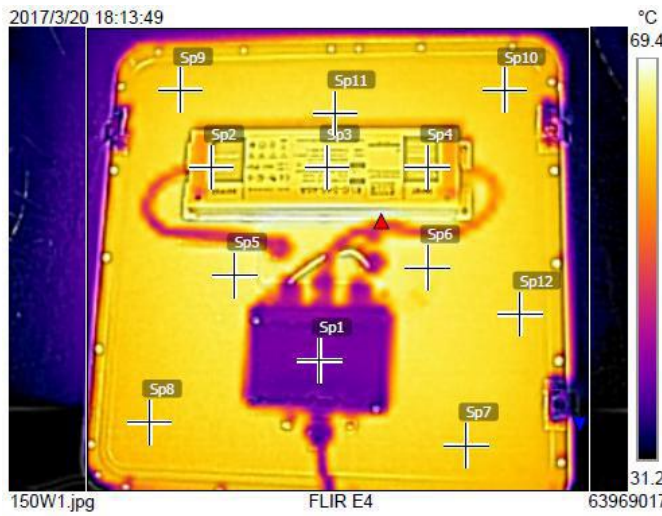
**Split Graph**



## Heat radiation test report



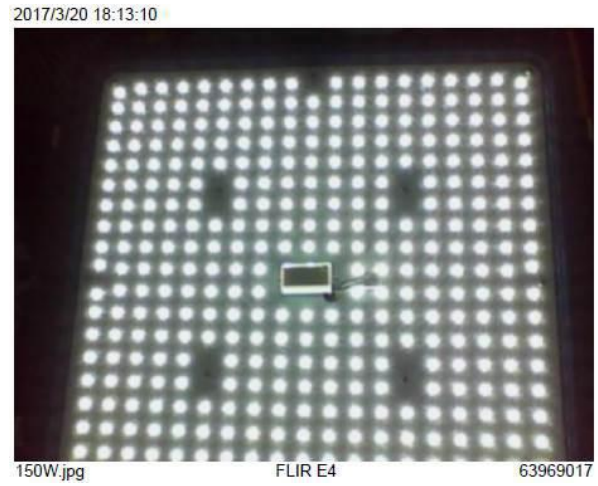
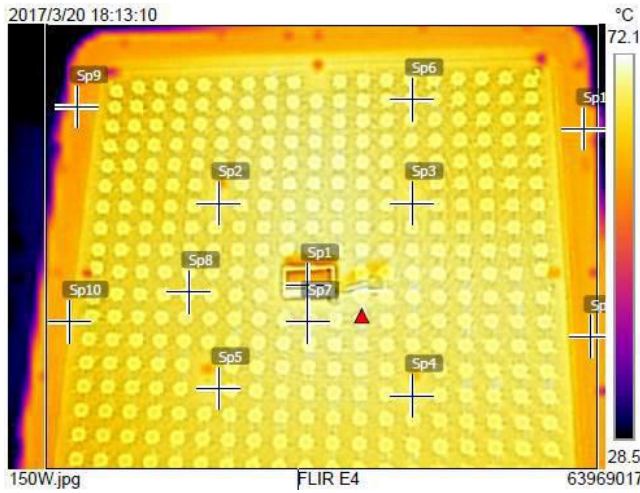
|                |                     |   |
|----------------|---------------------|---|
| Input Voltage: | AC230V              | <br>Test Instrument<br>FLIR E4 |
| Ta:            | 30°C                |   |
| Test time:     | After 4 hours' work |   |



### Measurements

|      |       | T ( °C ) | mark          |
|------|-------|----------|---------------|
| E11  | Max   | 69.3     |               |
|      | Min   | 29.0     |               |
|      | Avera | 58.2     |               |
| Sp1  |       | 40.3     | motion sensor |
| Sp2  |       | 61.7     | power         |
| Sp3  |       | 65.3     | power         |
| Sp4  |       | 64.1     | power         |
| Sp5  |       | 66.0     | radiator      |
| Sp6  |       | 65.6     | radiator      |
| Sp7  |       | 62.6     | radiator      |
| Sp8  |       | 61.8     | radiator      |
| Sp9  |       | 63.0     | radiator      |
| Sp10 |       | 62.3     | radiator      |
| Sp11 |       | 65.1     | radiator      |
| Sp12 |       | 63.5     | radiator      |

## Heat radiation test report



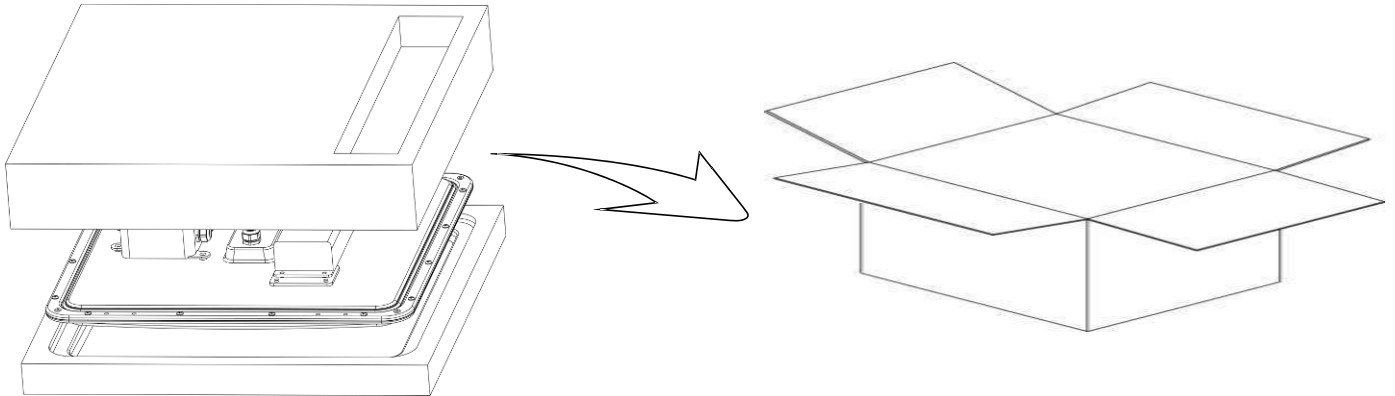
### Measurements

|      |         | T ( °C ) | mark         |
|------|---------|----------|--------------|
| E11  | Max     | 71.5     |              |
|      | Min     | 25.9     |              |
|      | Average | 65.6     |              |
| Sp1  |         | 67.2     | sensor       |
| Sp2  |         | 67.6     | MCPCB        |
| Sp3  |         | 68.1     | MCPCB        |
| Sp4  |         | 68.1     | MCPCB        |
| Sp5  |         | 67.1     | MCPCB        |
| Sp6  |         | 67.6     | Light source |
| Sp7  |         | 69.5     | Light source |
| Sp8  |         | 67.7     | Light source |
| Sp9  |         | 59.9     | radiator     |
| Sp10 |         | 63.2     | radiator     |
| Sp11 |         | 60.7     | radiator     |
| Sp12 |         | 61.1     | radiator     |

### Parameters

|                    |       |
|--------------------|-------|
| Emissivity         | 0.95  |
| Refl. temp.        | 20 °C |
| Distance           | 1 m   |
| Atmospheric temp.  | 30 °C |
| Ext. optics temp.  | 30 °C |
| Ext. optics trans. | 1     |
| Relative humidity  | 50 %  |

## Packing



| Model          | Carton Size   | Qty.     | N.W.  | G.W.  |
|----------------|---------------|----------|-------|-------|
| TOR-HBP-150W-S | 450x450x132mm | 1PCS/CTN | 3.5Kg | 4.5Kg |

## Note

Input voltage: AC90-305V, Please power off when installation to prevent electric shock.

Product IP65 waterproof level, do not use in areas of extremely high temperature.

When the temperature is too high, Over-temperature control circuitry activates, Output will be cut off, and the lamp will light off for a few minutes, After lowering temperature will be back to normal.

## Warranty

Our company's products use constant current power supply, the whole lamp warranty for five years.

**Remark:** The warranty is issued on the basis of correct storage, installation, usage and maintenance. Any improper use of our light fitting will void our warranty. During the warranty time, we can choose to repair the parts, replacing parts or replacing the whole products according the detail information. And we'll charge the customers some material fee and labor cost if the product out of our warranty time.