



**TORTECH LIGHTING**  
Leading the LED Lighting Revolution



# Product Specification

## TOR-HBP-200W-S

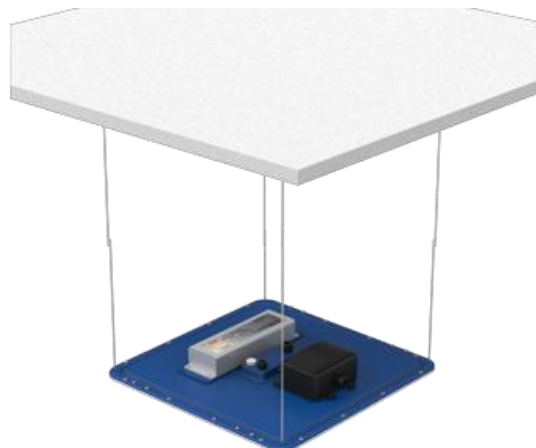
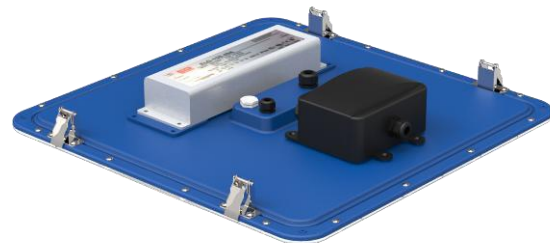
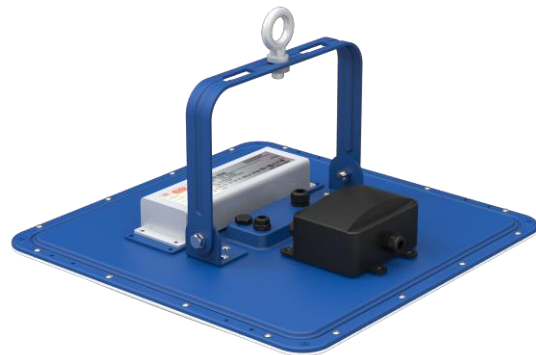
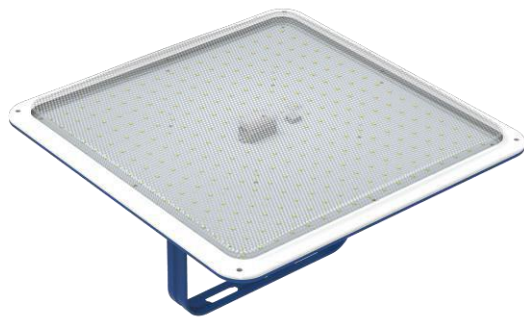


Product Name	200W LED Square High Bay
Product No.	TOR-HBP-200W-S
Manual NO.	20170322
Edition Name	XJ-GSL1501001
Date	2017.03.22

## Features



- Longevity, using semiconductor chip as the light resource, the life can be over 50,000hrs.
- No UV & IR harmful radiation
- Eco-friendly, No Mercury or Xenon or other heavy elements.
- Recyclable, also it won't generate EMI.
- MEAN WELL power supply, high performance external constant current driver, high efficiency & PF, high quality assurance.



Technical Parameters



**Power parameters:**

Project	Parameters
Input Voltage/Frequency	200-305V AC: 240W 50/60Hz
	100-180V AC: 180W 50/60Hz
Input Current(Typ)	0.87A
Output Voltage	DC39-42V
Output Current	4.3A
Power	200W("MEANWELL" ELG-240-48A)
Power Factor(Typ)	PF>0.95
Efficiency(Typ)	$\eta$ >0.88

**Lighting parameters:**

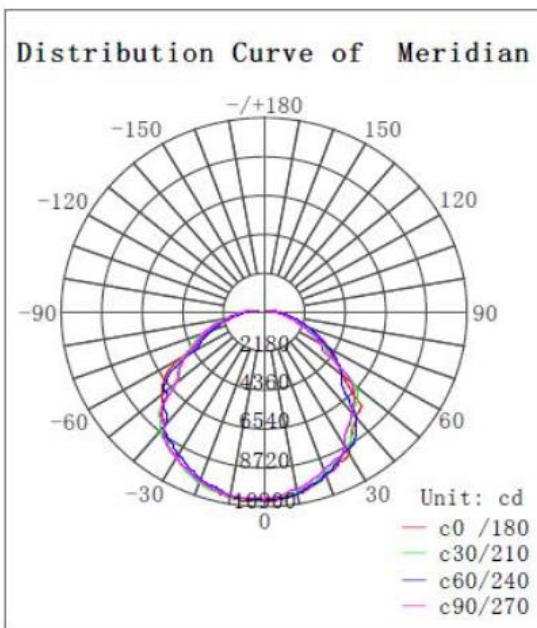
LED Chips Quantity	329(SMD 3030) pcs
Lumen Output	$\geq$ 26000LM
Color Temperature	3000K/4000K/6000K
Color Rendering Index	Ra>80
Beam Angle	120°
Dimensions	400x400 x 93.9mm
Operating Temperature	-40~55 °C
Operating Humidity	20%~90%
Storage Temperature	-40~80 °C
Lumen Maintenance	>95% (6000Hrs)
Life-span	50000Hrs
STD&AUT	UL、DLC、TUV、CE、RoHS

Note: Light optical parameters have a little deviation for different color temperature LEDs , deviation value $\leq$ 5%

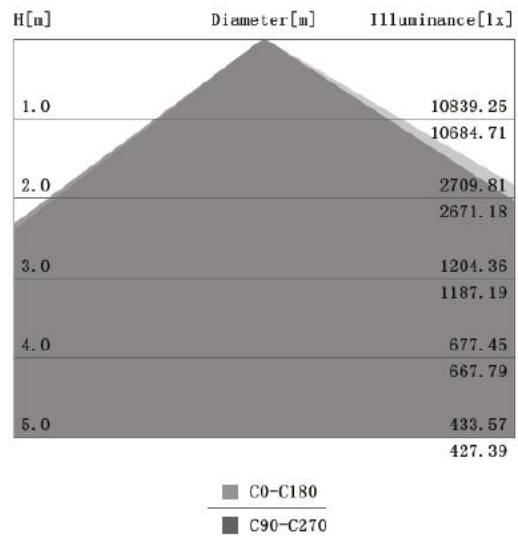
# Test Report



Measured Data of Lamp			
Voltage	231 V	Current	0.879 A
		Power	199.5 W
		Power Factor	0.983
Total Flux	29444.20 lm	Central Intensity	10684.71 cd
Lamp Efficiency	0.00%	Light Efficiency	147.59 lm/W
Peak Intensity	10839.25 cd	Location of Peak(c)	(180.0° , 4.5° )
Half-Intensity Angle	108.0°	Beam Angle	160.2°
Upward Light Ratio	0	Downward Light Ratio	100%
Upward Street Side	0	Downward Street Side	13753.58 lm
Upward House Side	0	Downward House Side	15690.70 lm
Flash Area(76° )	1552 cm <sup>2</sup>	Discomfort Glare(SL)	0

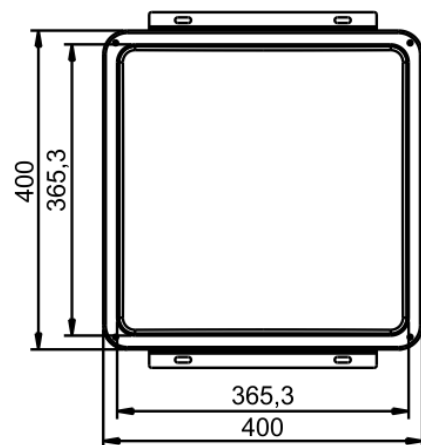
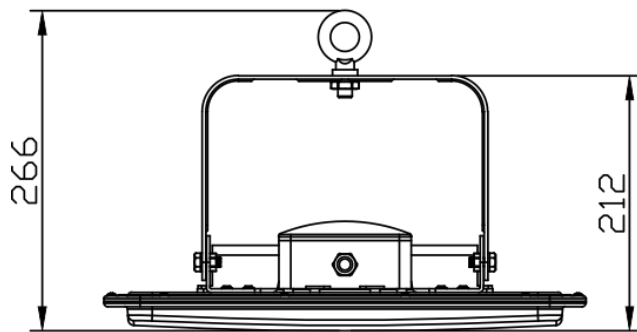


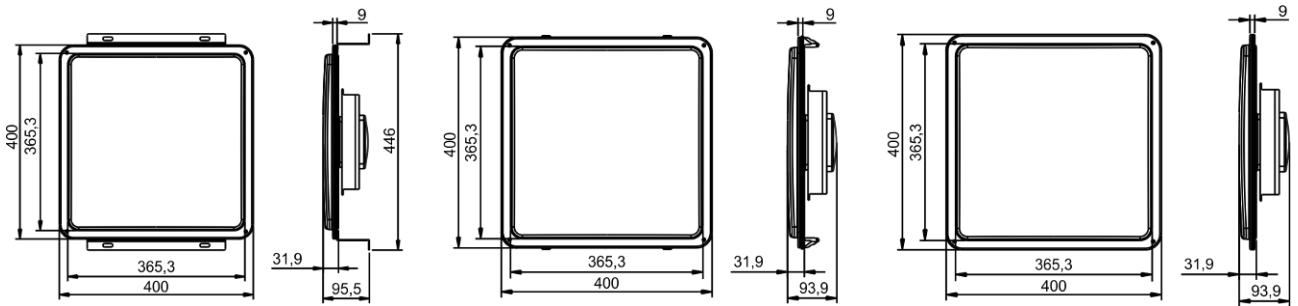
### Illumination Cone Curve



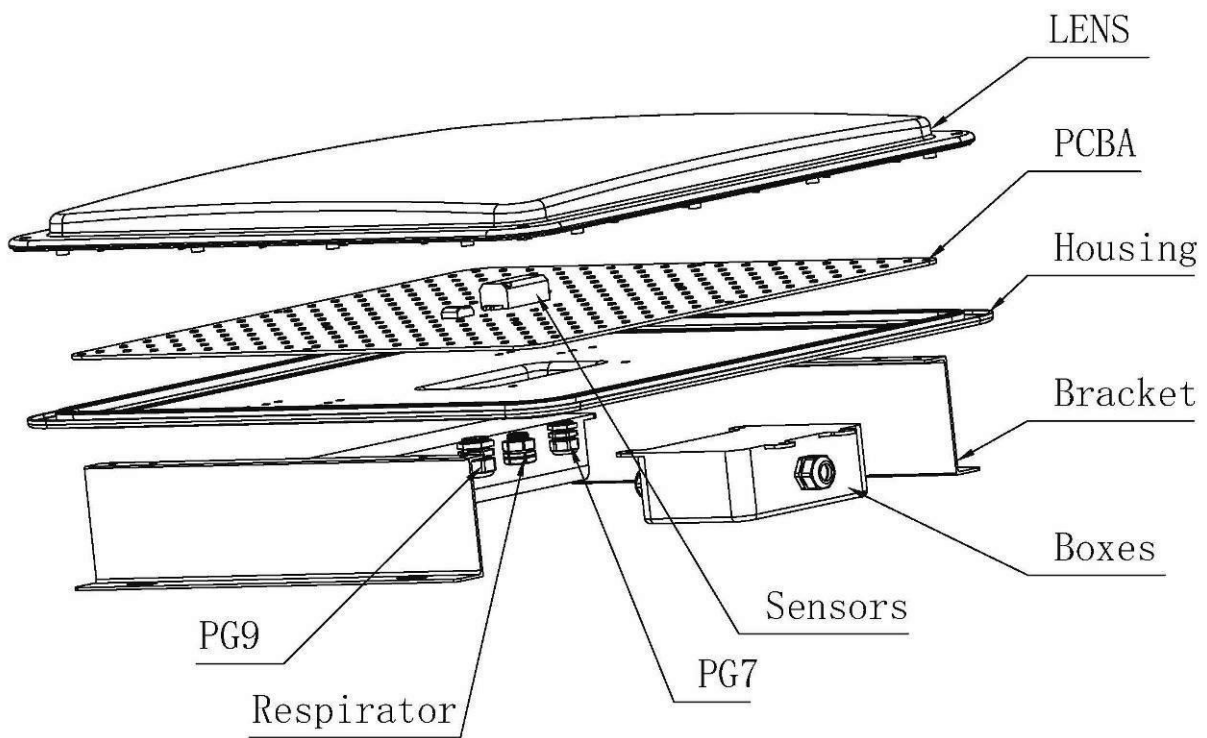
# Dimension

unit: mm






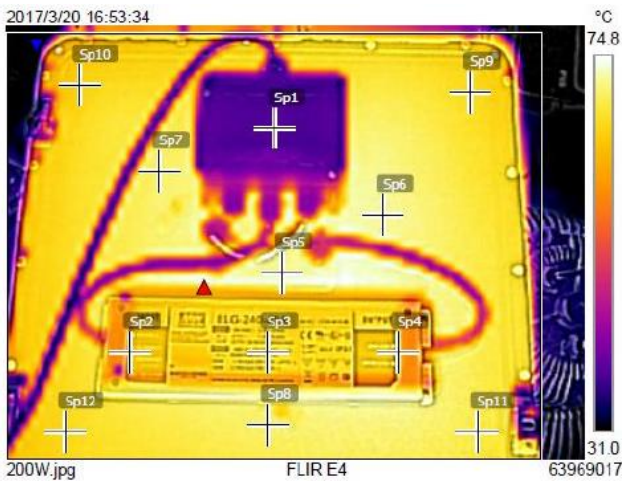
**Split Graph**



## Heat radiation test report



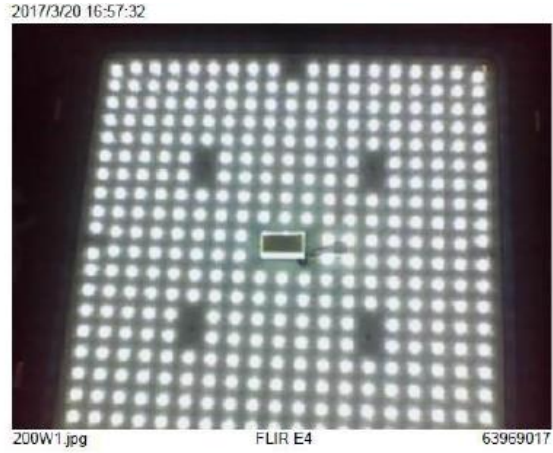
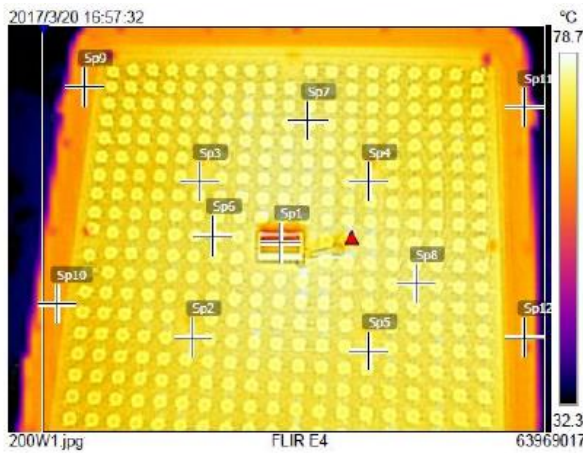
Input Voltage:	AC230V	 Test Instrument FLIR E4
Ta:	30°C	
Test time:	After 4 hours' work	



### Measurements

		T ( °C )	mark
EI1	Max	75.6	
	Min	28.8	
	Avera	62.5	
Sp1		38.6	motion sensor
Sp2		63.5	power
Sp3		67.1	power
Sp4		64.7	power
Sp5		72.3	radiator
Sp6		72.5	radiator
Sp7		71.1	radiator
Sp8		71.4	radiator
Sp9		68.3	radiator
Sp10		67.1	radiator
Sp11		70.0	radiator
Sp12		67.8	radiator

**Heat radiation test report**



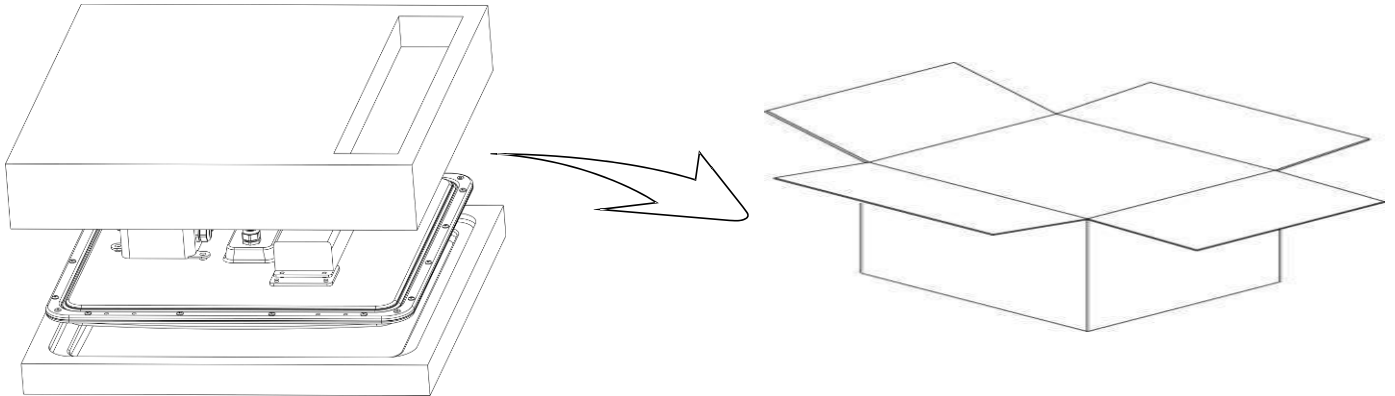
**Measurements**

		T ( °C )	mark
E11	Max	79.1	
	Min	29.9	
	Average	70.7	
Sp1		61.3	sensor
Sp2		73.1	MCPCB
Sp3		73.6	MCPCB
Sp4		74.2	MCPCB
Sp5		74.0	MCPCB
Sp6		74.3	Light source
Sp7		75.8	Light source
Sp8		74.9	Light source
Sp9		64.1	radiator
Sp10		64.0	radiator
Sp11		65.4	radiator
Sp12		66.1	radiator

**Parameters**

Emissivity	0.95
Refl. temp.	20 °C
Distance	1 m
Atmospheric temp.	30 °C
Ext. optics temp.	30 °C
Ext. optics trans.	1
Relative humidity	50 %

## Packing



Model	Carton Size	Qty.	N.W.	G.W.
TOR-HBP-200W-S	450x450x132mm	1PCS/CTN	4Kg	5Kg

## Note

Input voltage: AC90-305V, Please power off when installation to prevent electric shock.

Product IP65 waterproof level, do not use in areas of extremely high temperature.

When the temperature is too high, Over-temperature control circuitry activates, Output will be cut off, and the lamp will light off for a few minutes, After lowering temperature will be back to normal.

## Warranty

Our company's products use constant current power supply, the whole lamp warranty for five years.

**Remark:** The warranty is issued on the basis of correct storage, installation, usage and maintenance. Any improper use of our light fitting will void our warranty. During the warranty time, we can choose to repair the parts, replacing parts or replacing the whole products according the detail information. And we'll charge the customers some material fee and labor cost if the product out of our warranty time.