



## Features

Pure aluminum heatsink  
Nichia 757G  
Meanwell HBG-60  
Up to 110-130lm/w  
5 years warranty

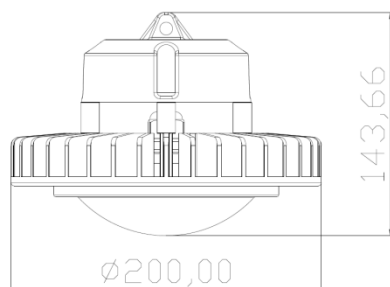
## Certificate&Report

UL / DLC / TUV / SAA / PSE  
LM-80 / LM-79 / IES

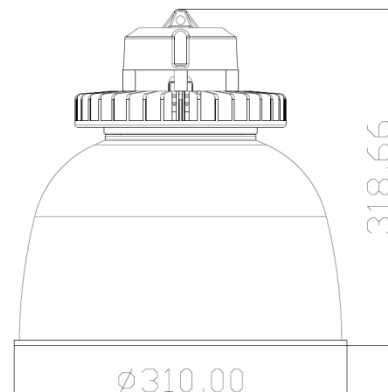
## General information

<b>Part No.:</b>	TOR-LB-60W-B
<b>Power:</b>	60W±5%
<b>Input Voltage:</b>	Ac90-295V
<b>Power Factor:</b>	>0.95
<b>CCT:</b>	3000/4000/5000/5700K
<b>CRI:</b>	Ra80
<b>Lumen:</b>	6600lm±5%
<b>Beam angle:</b>	120°
<b>Dimmable:</b>	Optional
<b>IP grade:</b>	IP44
<b>Lifespan:</b>	40,000H at 50°C ambient temperature
<b>Working Temperature:</b>	-40 - 50°C
<b>Installing method:</b>	Hanging hook / Adjustable bracket / NPT
<b>Material:</b>	Aluminum + PC
<b>Weight:</b>	1.9KG
<b>Accessory:</b>	Reflector, dust-proof shield
<b>Remarks:</b>	

## Dimensions



No reflector  
120degree



PC reflector  
70degree