



TORTECH LIGHTING

Tortech Lighting - Leaders in the LED Lighting revolution

150W LED HIGH BAY LIGHT



W: www.tortechlighting.com.au



TORTECH LIGHTING

Leaders in the LED Lighting revolution

02 9642 6003

www.Tortechlighting.com.au

CATEGORY

Data, Features, Split Graph.....1

**Mechanical Design, Product List, Specification,
Package.....2**

Application, Note.....3



TORTECH LIGHTING

Leaders in the LED Lighting revolution

02 9642 6003

www.Tortechlighting.com.au

Product Photo





TORTECH LIGHTING

Leaders in the LED Lighting revolution

02 9642 6003

www.Tortechlighting.com.au

1 Data

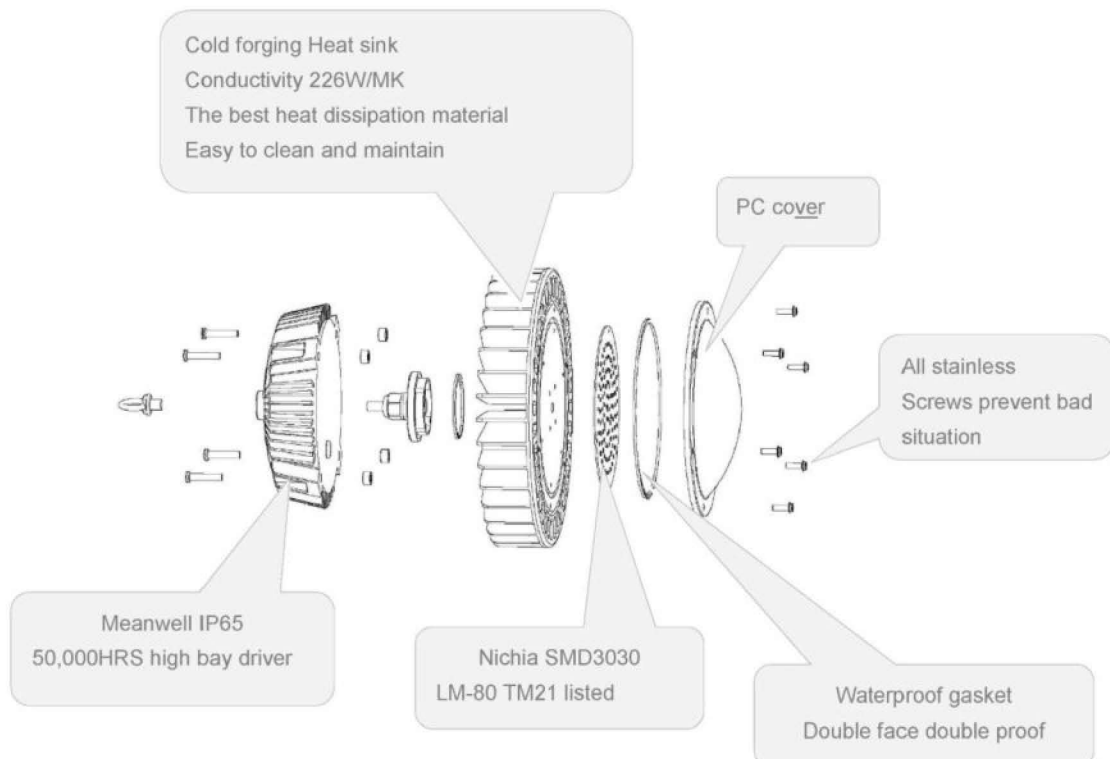
Model No.: TOR-LB-150W-B	Energy used: 150W	Lifespan: 40 000h
Light Output: 20400Lm	Voltage: 90-305V	Warranty: 1 year
Equivalent: 300W		

150W high bay is designed to replace the 300W induction lamp, metal halid or HID lamp, the superior Nichia SMD solution and pure aluminum heat sink enables the lumen efficacy higher to 100LMW with excellent thermal management in one-piece structure by cold-forging technology.

Features

- Excellent thermal management
- Nichia SMD LED technology
- Beam Angle 120 degree
- Meanwell driver
- Low maintenance

2 Split Graph





TORTECH LIGHTING

Leaders in the LED Lighting revolution

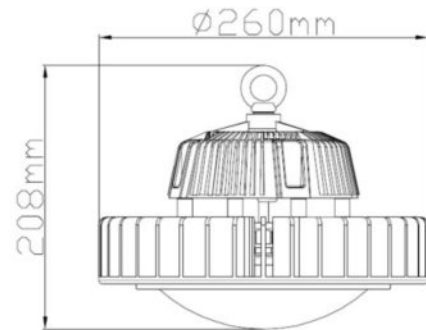
02 9642 6003

www.Tortechlighting.com.au

3 Mechanical Design

Heat Management

- Cold-forging Pure Aluminum heat sink
- Excellent heat management by conjoined structure
- Sand-blasting and oxidation surface treatment
- Thermal conductivity index: 226W/M · K
- The temperature difference between the PN junction and surface is within 3°C.



Temperature

Working temperature	-20-50°C
Storage temperature	-20-60°C

4 Product List

Part No	Power	CCT	Lumen	CRI	Voltage	Dimension
TOR-LB-150W-B	150W	4000K	20400Lm	82	AC90-305V	Φ260*208mm
		5000K	20400Lm			
		5700K	20400Lm			

5 Specification

Electrical and optical parameter	
Beam angle	120degree
Chip brand	Nichia 3030
LM-80 report	Tested
Chip quantities	224pcs
Lumen efficacy	136Lm/W
CRI	Ra82
PF	0.98
IP rating	IP65
Recycle switch test	20,000 times
Driver efficacy	90%
Certificate	CE, RoHS, SAA, TUV
Place of origin	China Mainland

6 Package

Packing dimension	
High bay carton Size	295*295*285mm
Product Weight	3.8kg
Weight./CTN	4.5KG



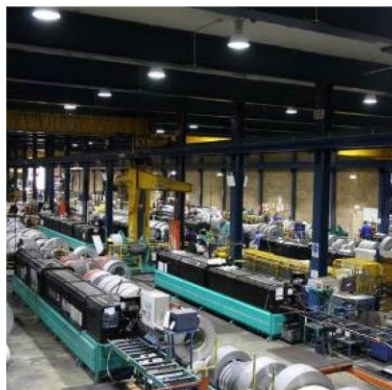
TORTECH LIGHTING

Leaders in the LED Lighting revolution

02 9642 6003

www.Tortechlighting.com.au

7 Application



Ideal for street light, factory lighting and bay light replacement

8 Note

- The working voltage for this lamp is 100-305V. Please make sure the working voltage is 100-305V before you connected the lamp to the power supply.
- The input power of this lamp is 100-305V; Prohibit contact to the base of the lamp after connected to the power supply to avoid the electric shock.
- Please check whether any damage caused by delivery before you use the lamp. If any flaw or damage, please don't use it and inform the supplier.
- Please follow the construction and caution on the leaflet so as to ensure the safe usage and the good condition of product. Any damage or defect caused by failure that is warned on the leaflet is out of the supplier's responsibility.
- Because outer covering temperature can amount to 90°C, keep the lamp away from heat-sensitive materials.

Welcome any question or inquiry that is not available on this datasheet.