



TORTECH LIGHTING

Tortech Lighting - Leaders in the LED Lighting revolution

200W LED HIGH BAY LIGHT



W: www.tortechlighting.com.au



TORTECH LIGHTING

Leaders in the LED Lighting revolution

02 9642 6003

www.Tortechlighting.com.au

CATEGORY

Technology Parameters, Mechanical Design.....1

Split Graph, Specification, Package.....2

Product List, Application, Note.....3



TORTECH LIGHTING

Leaders in the LED Lighting revolution

02 9642 6003

www.Tortechlighting.com.au

Product Photo





TORTECH LIGHTING

Leaders in the LED Lighting revolution

02 9642 6003

www.Tortechlighting.com.au

1 Approved Data

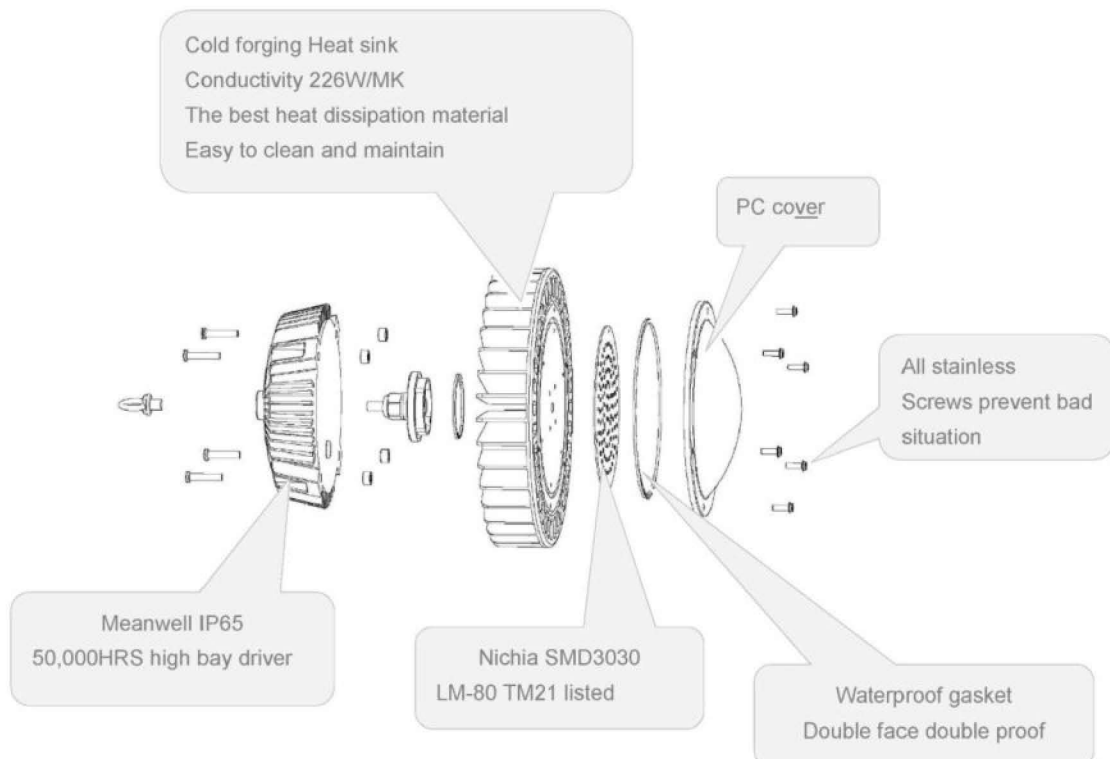
Model No.: TOR-LB-200W-B	Energy used: 200W	Lifespan: 40 000h
Light Output: 28000Lm	Voltage: 90-305V	Warranty: 1 year
Equivalent: 400W		

200W high bay is designed to replace the 400W induction lamp, metal halid or HID lamp, the superior Nichia SMD solution and pure aluminum heat sink enables the lumen efficacy higher to 100LM/W with excellent thermal management in one-piece structure by cold-forging technology.

Features

- Excellent thermal management
- Nichia SMD LED technology
- Beam Angle 120 degree
- Meanwell driver
- Low maintenance

2 Split Graph





TORTECH LIGHTING

Leaders in the LED Lighting revolution

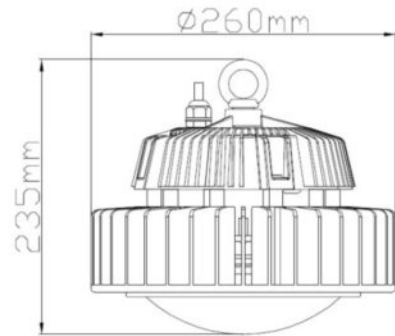
02 9642 6003

www.Tortechlighting.com.au

3 Mechanical Design

Heat Management

- Cold-forging Pure Aluminum heat sink
- Excellent heat management by conjoined structure
- Sand-blasting and oxidation surface treatment
- Thermal conductivity index: 226W/M · K
- The temperature difference between the PN junction and surface is within 3°C.



Temperature

Working temperature	-20-50°C
Storage temperature	-20-60°C

4 Product List

Part No	Power	CCT	Lumen	CRI	Voltage	Dimension
TOR-LB-200W-B	200W	4000K	28000Lm	82	AC90-305V	Φ260*235mm
		5000K	28000Lm			
		5700K	28000Lm			

5 Specification

6 Package

Electrical and optical parameter	
Beam angle	120degree
Chip brand	Nichia 3030
LM-80 report	Tested
Chip quantities	350pcs
Lumen efficacy	140Lm/W
CRI	Ra82
PF	0.98
IP rating	IP65
Recycle switch test	20,000 times
Driver efficacy	90%
Certificate	CE, RoHS, SAA, TUV
Place of origin	China Mainland

Packing dimension	
High bay carton Size	295*295*305mm
Product Weight	5.4kg
Weight./CTN	6.0KG



TORTECH LIGHTING

Leaders in the LED Lighting revolution

02 9642 6003

www.Tortechlighting.com.au

7 Application



Ideal for street light, factory lighting and bay light replacement

8 Note

- The working voltage for this lamp is 100-305V. Please make sure the working voltage is 100-305V before you connected the lamp to the power supply.
- The input power of this lamp is 100-305V; Prohibit contact to the base of the lamp after connected to the power supply to avoid the electric shock.
- Please check whether any damage caused by delivery before you use the lamp. If any flaw or damage, please don't use it and inform the supplier.
- Please follow the construction and caution on the leaflet so as to ensure the safe usage and the good condition of product. Any damage or defect caused by failure that is warned on the leaflet is out of the supplier's responsibility.
- Because outer covering temperature can amount to 90°C, keep the lamp away from heat-sensitive materials.

Welcome any question or inquiry that is not available on this datasheet.